

Simplex[®] 5000 Specifications



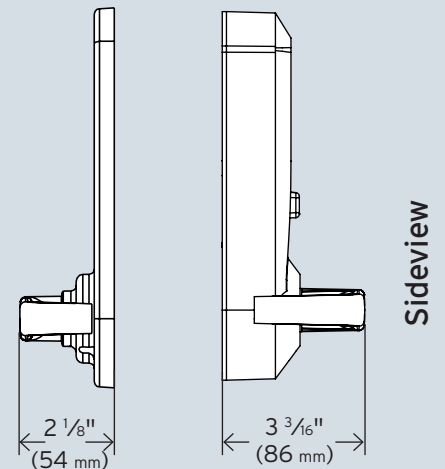
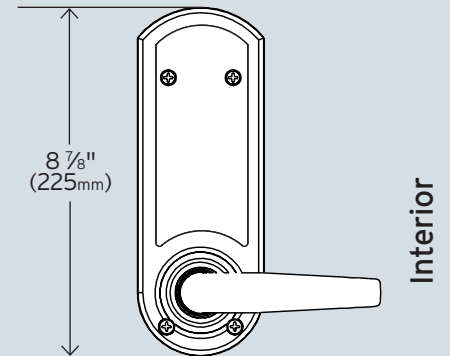
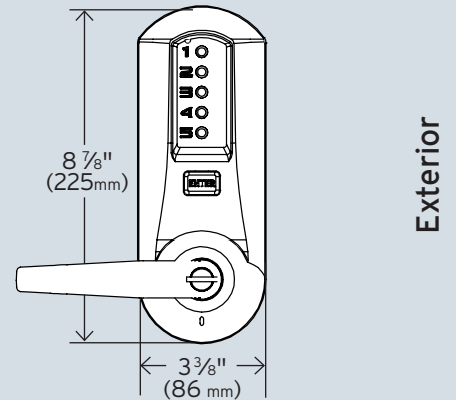
Features

Access Control:	Mechanical pushbutton lock—eliminates problems and costs associated with issuing, controlling, and collecting keys and cards
No Battery:	Fully mechanical lock eliminates the material and labor expense of battery replacements
Number of Codes:	Single access code—one easy to manage code for all users
Programming:	Lock is easily programmed via keypad without removing lock from the door
Handing:	Non-handed, pre-assembled for left-hand door installations—easily changed in the field
Key Override:	Key-in-lever cylinders, small format interchangeable cores, large format removable cores
Operation Modes:	<p>Simplex 5000 Cylindrical</p> <p>Single credential—access Passage (select models)</p> <p>Simplex 5000 Exit Trim</p> <p>Single credential—access May be “dogged” if exit device allows</p>
Economical:	A cost effective access control solution

Exit Device Compatibility—Simplex 5000 Exit Trim

Arrow S1250	Monarch 18R/F-18R	Sargent 8888
Arrow S3800	Precision 21/FL21	Von Duprin 22/22F
Corbin Russwin 5200/5200A	Sargent 2828	Von Duprin 98/98F
Detex 10/F10	Sargent 3828	Von Duprin 99/99F
Dorma 9300/9300F	Sargent 8800	Yale 7100

Simplex 5000 Cylindrical Dimensions



Mechanical Features

Construction:	Simplex 5000 Cylindrical —Extra heavy-duty; cylindrical lockset; solid cast housings; solid cast levers; wear tested for extensive use on indoor and outdoor applications Simplex 5000 Exit Trim —Extra heavy-duty; solid cast housings; solid cast levers; wear tested for extensive use on indoor and outdoor applications
Direct Drive Design:	Clutch free design—minimizes friction and wear
Numeric Keypad:	Vandal resistant, metal pushbuttons
Door Handing:	Simplex 5000 Cylindrical —Non-handed, pre-assembled for left-hand door installations—easily changed in the field Simplex 5000 Exit Trim —Non-handed, pre-assembled for left-hand door installations—easily changed in the field
Backset:	Simplex 5000 Cylindrical —2 ¾" (70 mm), 2 ⅜" (60 mm) backset (optional) Simplex 5000 Exit Trim —Varies by exit device
Latch:	Simplex 5000 Cylindrical —½" (13 mm) bolt, ¾" (19 mm) bolt (optional) Simplex 5000 Exit Trim —compatible with most leading brands of exit devices
Universal Mounting:	Simplex 5000 Exit Trim —Universal mounting plate (included) simplifies installation and eliminates any requirement to stock different locks/plates for various exit devices
Minimum Stile Recommended:	5" (127 mm)
Weight:	Simplex 5000 Cylindrical —9 lbs. (4.08 kg) Simplex 5000 Exit Trim —8 lbs. (3.63 kg)

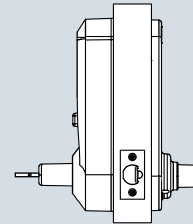
Key Override

Universal Key-in-Lever Cylinders:	Includes Kaba 1599 6-pin cylinder (prepped to Kaba 90 or Schlage C keyway, keyed different) and tailpieces for compatibility with:	
	Abloy 5277	Kaba Gemini 4730
	Abloy 5477	Kaba Gemini 4730
	Arrow C100	Marks
	ASSA 65611	Medeco 20W200H1
	ASSA 65691	Sargent 10 Line
	Corbin Russwin 2000-03	Schlage 23-001
	Kaba 1539	Schlage Primus 20-760
	Kaba 1599	
	Australian: Kaba expert 107K5, Boyd KC286	
	European: Quattro S/Expert, AP2 (5 and 6-pin)	

Simplex 5000 Cylindrical

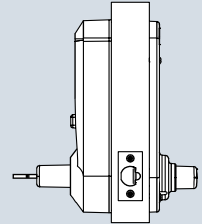
Optional Features

Model 5021



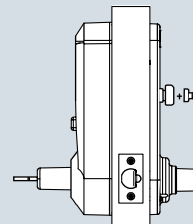
- Key Override

Model 5031



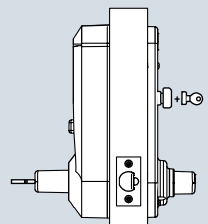
- Key Override
- Combination change from secure side (interior) of door

Model 5041

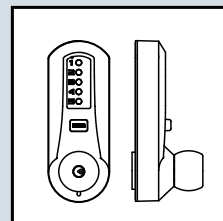


- Key Override
- Passage

Model 5051



- Key Override
- Combination change from secure side (interior) of door



- Knob

Key Override (Continued)

Interchangeable	Small format—Best and equivalents
Cores:	(6 or 7-pin length)
Removable Cores:	Large format—ASSA/Medeco/Yale (6-pin), Corbin Russwin, Schlage, and Sargent

Installation

Door Preparation:	Simplex 5000 Cylindrical —ASA 161 door prep with additional through bore holes (wood or metal doors) Simplex 5000 Exit Trim —ASA 161 door prep with additional through bore holes (wood or metal doors)
Door Thickness:	Simplex 5000 Cylindrical —1 ³ / ₈ " (35 mm) to 2 ¹ / ₄ " (57 mm). Pre-assembled to accommodate doors 1 ⁵ / ₈ " (41 mm) to 2" (50 mm) Simplex 5000 Exit Trim —1 ³ / ₄ " (44 mm) to 2 ¹ / ₄ " (57 mm). Pre-assembled to accommodate doors 1 ³ / ₄ " (44 mm) to 2 ¹ / ₈ " (54 mm)
Items Supplied Include:	Simplex 5000 Cylindrical —Lock assembly, installation manual, template, and required hardware Simplex 5000 Exit Trim —Lock assembly, installation manual, template, and required hardware. (Exit device and mounting hardware not included)
Additional Items Supplied Include:	Simplex 5000 (Key-in-Lever Models Only) —Universal Kaba 1599 6-pin cylinder with tailpiece, two nickel silver keys

Certification and Testing

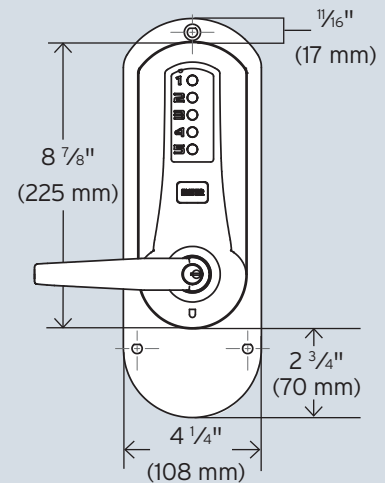
Accessibility	Americans with Disabilities Act (ADA)
Standard:	
Durability:	Simplex 5000 Cylindrical —ANSI/BHMA A156.2, Grade 1 Certified Simplex 5000 Exit Trim —ANSI/BHMA A156.3, Grade 1 Certified
Environmental:	Weather resistant, Indoor/Outdoor approved
Fire Rating:	3-hour UL/ULC fire rating for "A" label doors

Warranty

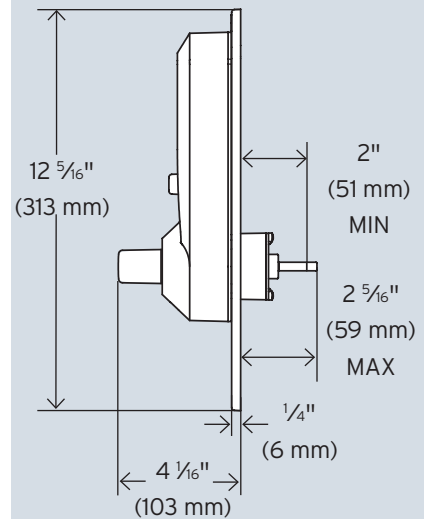
Warranty:	3-year warranty
-----------	-----------------

Simplex 5000 Exit Trim

Dimensions



Exterior



Sideview

Available Finishes

Standard Finishes: Satin Chrome 26D (626) housings and lever
Black (676) housings with Satin Chrome (626) levers and accents

Optional Finishes: Bright Brass 03 (605) housings and lever
Satin Brass 04 (606) housings and lever
Bright Chrome 026 (625) housings and lever
Dark Bronze (744-Simulates 10B/613) housing and levers with brass accents



Satin Chrome



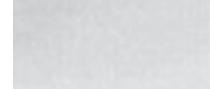
Black



Bright Brass



Satin Brass



Bright Chrome



Dark Bronze

Disclaimer: While reasonable efforts were made to ensure the accuracy of this document at the time of printing, Kaba assumes no liability for any errors or omissions. This information is subject to be revised without notice, and changes may be incorporated in future releases.

KAA1052 0508

Kaba Access Control
2941 Indiana Ave
Winston Salem, NC 27105
Tel: 1-800-849-8324
www.kabaaccess.com

