



- PIN Access
- Mechanical Pushbutton Lock
- Single Access Code
- Cylindrical
- Knob

Features

| | |
|---------------------------------|---|
| Access Control: | Mechanical pushbutton lock—eliminates problems and costs associated with issuing, controlling, and collecting keys and cards. Provides exterior access by combination, while allowing free egress. |
| No Battery: | Fully mechanical lock eliminates the material and labor expense of battery replacements |
| Locking Device Options: | Cylindrical latch with 3-hour UL/ULC fire rating on “A” labeled doors |
| Number of Codes: | Single access code—one easy to manage code for all users |
| Programming: | Lock is easily programmed via keypad without removing lock from the door |
| Handing: | Factory-handed for left hand doors; easily field reversible |
| Key Override (Optional): | Small format interchangeable cores, large format removable cores |
| Operation Modes: | Single credential—access Passage (select models)—Allows access without using the lock entry code Feature activated from the inside with a thumbturn or key (included with all passage feature models) Lockout (select models)—Disables the lock from the inside so that the entry codes can not be used to gain access. Access is permitted using the key override only. |
| Economical: | A cost effective access control solution |

Mechanical Features

| | |
|-----------------------------------|---|
| Construction: | Heavy-duty cylindrical lock housing with cast front housing; unified trim plate; cast knobs |
| Numeric Keypad: | Vandal resistant, solid metal pushbuttons |
| Handing: | Factory-handed for left hand doors; easily field reversible |
| Standard Finishes: | Satin Chrome 26D (626), Antique Brass 05 (609) |
| Optional Finishes: | Bright Brass 03 (605), Bright Chrome 026 (625) |
| Backset: | 2 ¾" (70 mm), 2 ⅜" (60 mm) |
| Latch: | ½" (13 mm) throw latch; ¾" (19 mm) throw latch (optional) |
| Minimum Stile Recommended: | 5" (127 mm) |
| Weight: | 7.25 lbs. (3.3 kg) |
| Strike: | Standard strike plate; ASA strike plate |

Key Override

| | |
|-------------------------------|---|
| Interchangeable Cores: | Small format—Best and equivalents (6 or 7-pin length) |
| Removable Cores: | Large format—Medeco/ASSA/Yale (5 or 6-pin length), Corbin Russwin, Schlage, and Sargent |

Installation

| | |
|--------------------------------|---|
| Door Preparation: | Easily installs on wood or metal doors. ASA 161 door preparation with additional through bore holes required |
| Door Thickness: | 1 3/8" (35 mm) to 2 1/4" (57 mm)—Preassembled to accommodate 1 5/8" (41 mm) to 2" (51 mm) |
| Items Supplied Include: | Lock assembly, installation manual, full-scale template, combination change plug and access key, and required installation hardware |

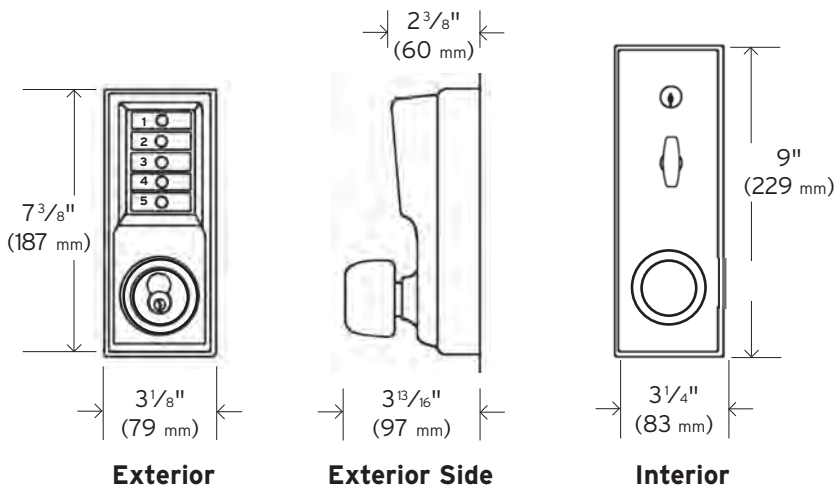
Certification and Testing

| | |
|---------------------|---|
| Durability: | Highly weather resistant |
| Fire Rating: | 3-hour UL/ULC fire rating for "A" labeled doors |

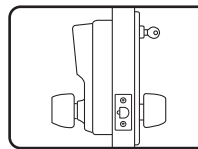
Warranty

| | |
|------------------|-----------------|
| Warranty: | 3-year warranty |
|------------------|-----------------|

Cylindrical

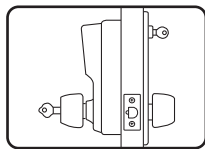


Model 101x



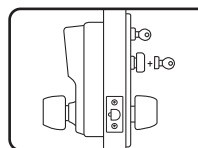
- Combination Entry
- Interior Combination Change

Model 102x



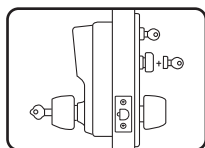
- Combination Entry
- Key Override (not supplied)
- Interior Combination Change

Model 103x



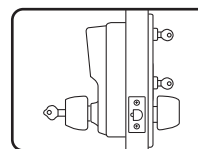
- Combination Entry
- Interior Combination Change
- Passage

Model 104x



- Combination Entry
- Key Override (not supplied)
- Passage
- Interior Combination Change

Lockout Models



- Combination Entry
- Key Override (not supplied)
- Interior Combination Change
- Lockout from inside trim